

Actuated Valve

Solenoid Valve



SV1545



SV1045



The **stainless-steel electric solenoid valves** are especially designed for controlling water jets in sequencing fountains. This solenoid valves can be used in a zero differential water pressure application.

Techno Water Designs department is able to design any electric switchboard which controls these electric valves and, in this way, produce de desire water effect.



TECHNO WATER DESIGNS

The Art of Water

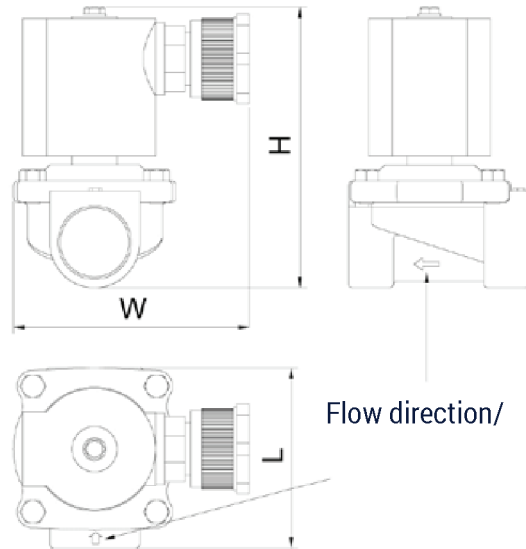
Design Studio & Workshop • Unit 4, 33 Jade Drive Molendinar 4214

Ph • +617 5597 5882

E • info@techno-waterdesigns.com.au

W • www.techno-waterdesigns.com.au

SOLENOID VALVE



| Reference | SV1045 | SV1545 |
|--------------------------|--|----------------|
| Port size | G1" H-H / F-F | G1½" H-H / F-F |
| Voltage | 24V DC | |
| Power | 20W | |
| Working pressure | 0-5 m / H | |
| Max. working pressure | 10 Atm. | |
| Max. working temperature | 60° C | |
| Type | Normally closed/ Normalmente cerrada (NC) | |
| Material | Stainless steel/ Acero inoxidable AISI-304 | |
| Protection | IP 68 | |
| Length (L) | 81 mm | 121 mm |
| Width (W) | 111 mm | 122 mm |
| Height (H) | 120 mm | 150 mm |
| Weight | 1,2 kg | 2,2 kg |

Head loss (kg/cm²)

| Reference | l/min | 75 | 100 | 125 | 150 | 175 | 200 |
|-----------|-------------------|------|------|------|------|------|------|
| | m ³ /h | 4,5 | 6,0 | 7,5 | 9,0 | 10,5 | 12,0 |
| SV1045 | Ø1" | 0,30 | 0,45 | 0,55 | 0,83 | 1,07 | - |
| SV1545 | Ø1½" | 0,20 | 0,25 | 0,35 | 0,48 | 0,69 | 0,94 |